

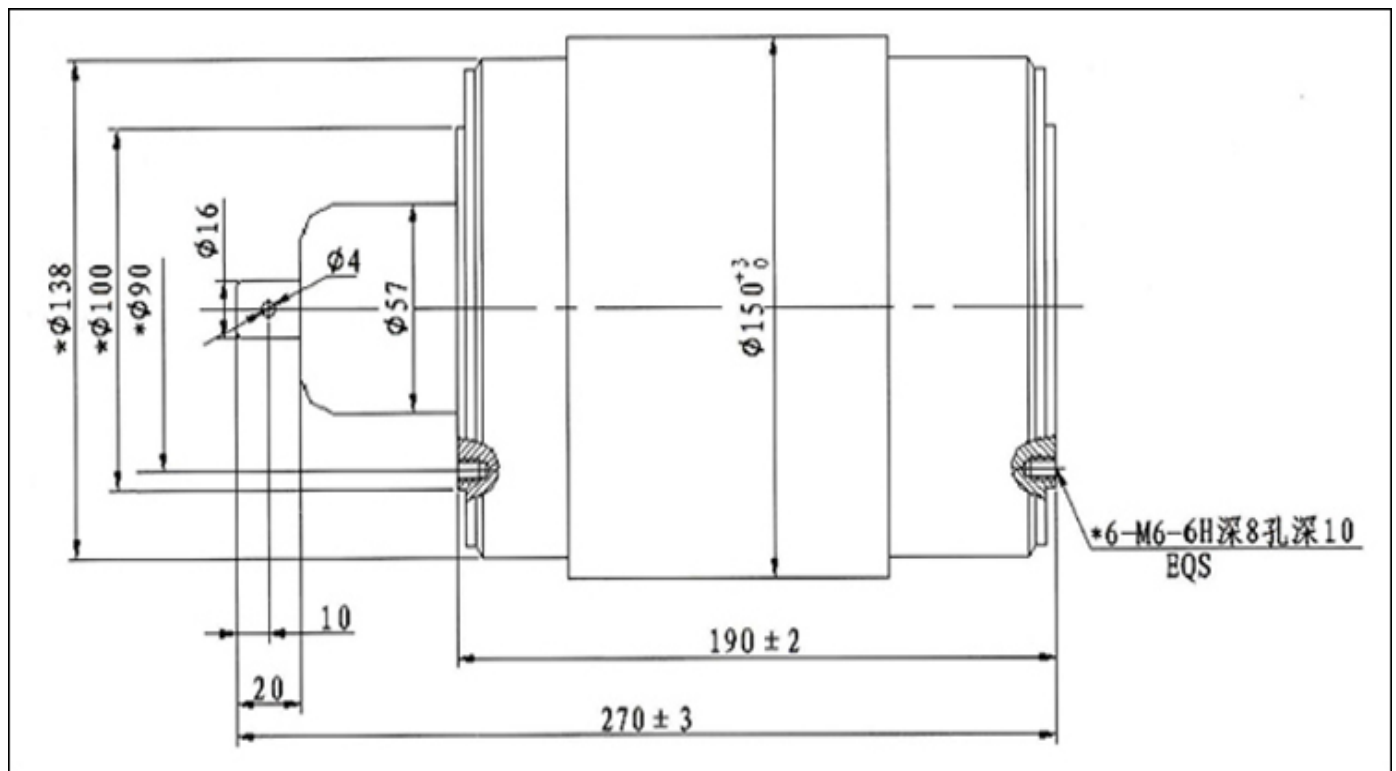
# Vacuum Capacitors



CTB500 Series, Variable ceramic vacuum capacitors

## Specifications

Model	Capacitance Range	Peak Test Voltage	HF Peak Working Voltage	Max. RF Current (13.56MHz)	Max. Tuner Torque	Tuner Turns	Max Weight
	(pF)	(kV)	(kV)	(A)	(N.m)	(Circle)	(Kg)
AXCTB500/20/120	15-500	28	20	120	0.5	26	6



More Products are available on request